



Superior 14 × 17-inch Cassette-size Flat Panel Detector Designed for Digital Radiography

Mars 1417V

- Wireless cassette detector per ISO 4090, fits in bucky
- 150 µm pixel pitch, with 16 bit ADC for more image details
- Stable iSync+ Automatic Exposure Detection (AED)

| Dual band (2.4 and 5 GHz) wireless support
with easy sharing |

| Long battery life and smart workflow |

| Direct deposition CsI for better image quality
with lower dose |

Mars 1417V is a smart 14×17-inch wireless, cassette-sized FPD for radiographic imaging. It features reliable AED, dependable wireless performance, and a long battery life. The Mars 1417V supports a fast work flow, and is the optimal choice for both retrofit and new DR system solutions.

IMAGING THE FUTURE

Superior 14 × 17-inch Cassette-size Flat Panel Detector Designed for Digital Radiography

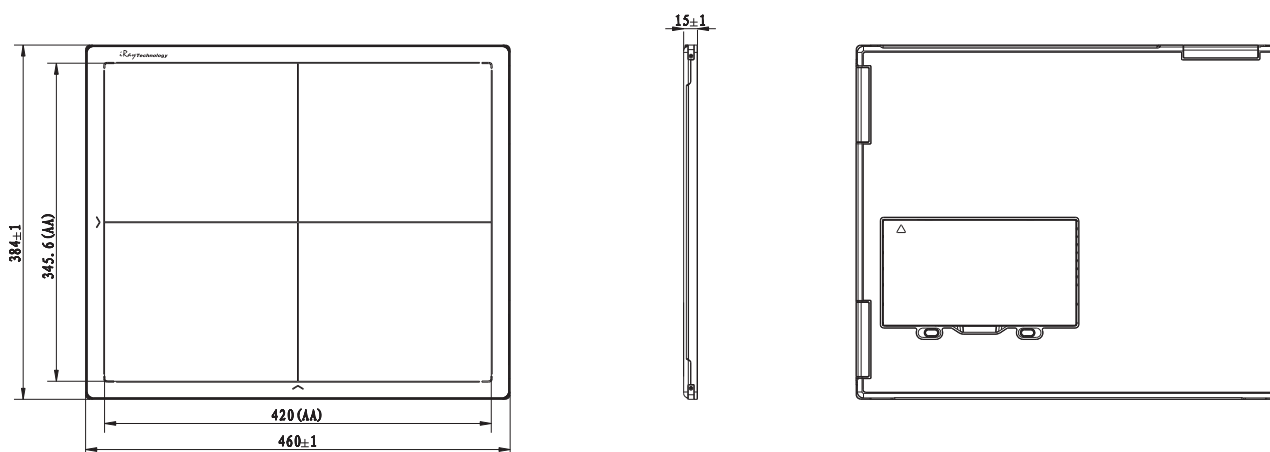
Technical Specifications

Mars 1417V

Detector Technology	Amorphous Silicon
Scintillator	CsI
Active Area (inch)	14 × 17
Pixel Matrix	2304 × 2800
Pixel Pitch (µm)	150
Spatial Resolution (lp/mm)	3.4
AD Conversion (bit)	16
Battery Autonomy (h)	8
WIFI	2.4G and 5G, IEEE802.11 a/b/g/n/ac
Trigger Mode	AED (Optional) / Software
Full Image Time (s)	5
Dimensions (mm ³)	384 × 460 × 15
Weight (kg)	3.3
Static Loading	150kg Uniformly
Ingress Protection	IPX1
Operating Temperature (°C)	5 ~ 35
Storage & Transport Temperature with Package (°C)	-20 ~ 55
Operating Humidity (% RH)	10 ~ 90 (Non-Condensing)
Storage & Transport Humidity with Package (% RH)	5 ~ 95 (Non-Condensing)

Dimensions

Unit: mm



www.iraygroup.com

Manufactured by iRay Technology specifications subject to change without notice.
Copyright © 2020 iRay Technology. All Rights Reserved.

CHINA

iRay Technology Company Limited

Building 45, No.1000, Jinhai Road, Pudong
New Area, Shanghai, China 201206

Tel: +86-21-5072 0560

Fax: +86-21-5072 0561

Email: market@iraygroup.com

iRay Technology Taicang Ltd.

No.33, Xinggang Road, Taicang Port
Economic and Techn. Devel.
Zone, Taicang City, Jiangsu Prov-
ince, China 215400

KOREA

iRay Korea Limited

1820, 18F, 5, Gasan digital
1-ro, Geumcheon-gu, Seoul,
Republic of Korea 08594

Tel: +82-2-6335-6333

Fax: +82-2-6335-6334

Email: market@iraykorea.com

EUROPE

iRay Europe GmbH

In den Dorfswiesen 14
71720 Oberstenfeld, Germany

Tel: +49-7062-977 8800

Fax: +49-7062-976 0571

Email: sales@irayeuropa.com

