

Superior 17 × 17-inch Cassette-size Flat Panel Detector

Mars 1717V

- Wireless cassette detector per ISO 4090, fits in bucky
- 139 μm pixel pitch, with 16 bit ADC for more image details
- Stable iSync+ Automatic Exposure Detection (AED)

| Dual band (2.4 and 5 GHz) wireless support
with easy sharing |

| Long battery life and smart workflow |

| Direct deposition CsI for better image quality
with lower dose |

Mars 1717V is a smart 17×17-inch wireless, cassette-sized FPD for radiographic imaging. It features reliable AED, dependable wireless performance, and a long battery life. The Mars 1717V supports a fast work flow, and is the optimal choice for both retrofit and new DR system solutions.

IMAGING THE FUTURE

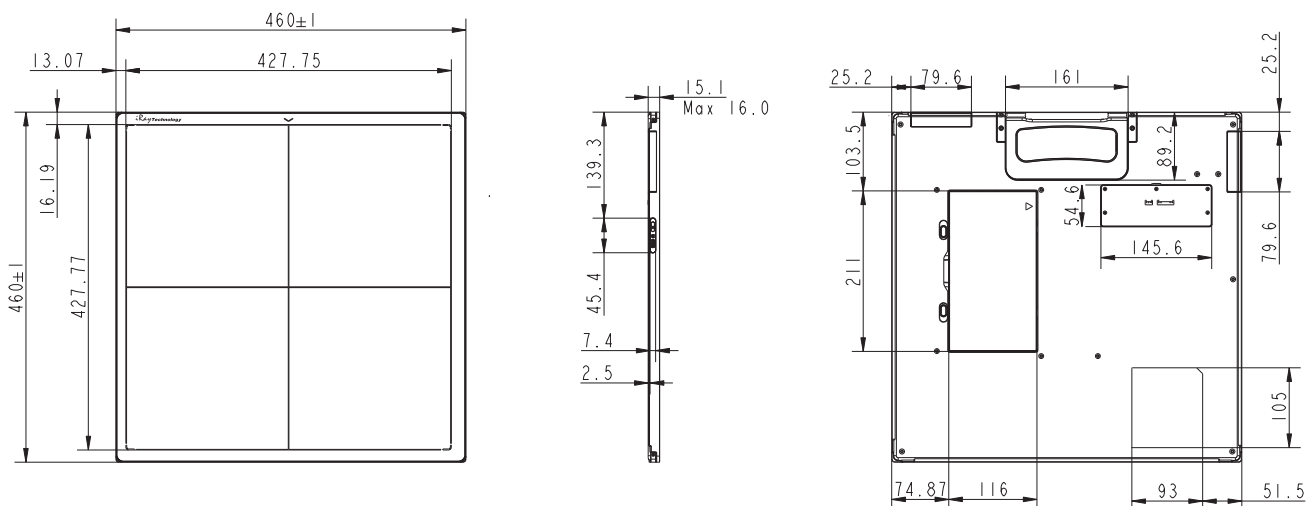
Technical Specifications

Mars 1717V

Detector Technology	Amorphous Silicon
Scintillator	CsI
Active Area (inch)	17 × 17
Pixel Matrix	3072 × 3072
Pixel Pitch (μm)	139
Spatial Resolution (lp/mm)	3.6
AD Conversion (bit)	16
Battery Autonomy (h)	8
WIFI	2.4G and 5G, IEEE802.11 a/b/g/n/ac
Trigger Mode	AED (Optional) / Software
Full Image Time (s)	5
Dimensions (mm ³)	460 × 460 × 15
Weight (kg)	4.3
Static Loading	150kg Uniformly
Ingress Protection	IPX1
Operating Temperature (°C)	5 ~ 35
Storage & Transport Temperature with Package (°C)	-20 ~ 55
Operating Humidity (% RH)	10 ~ 90 (Non-Condensing)
Storage & Transport Humidity with Package (% RH)	5 ~ 95 (Non-Condensing)

Dimensions

Unit: mm



www.iraygroup.com

Manufactured by iRay Technology specifications subject to change without notice.
Copyright © 2019 iRay Technology. All Rights Reserved.

CHINA

iRay Technology Company Limited

Building 45, No.1000, Jinhai Road, Pudong
New Area, Shanghai, China 201206

Tel: +86-21-5072 0560

Fax: +86-21-5072 0561

Email: market@iraygroup.com

iRay Technology Taicang Ltd.

No.33, Xinggang Road, Taicang Port
Economic and Techn. Devel.
Zone, Taicang City, Jiangsu Prov-
ince, China 215400

KOREA

iRay Korea Limited

1820, 18F, 5, Gasan digital
1-ro, Geumcheon-gu, Seoul,
Republic of Korea 08594

Tel: +82-2-6335-6333

Fax: +82-2-6335-6334

Email: market@iraykorea.com

EUROPE

iRay Europe GmbH

In den Dorfwiesen 14
71720 Oberstenfeld, Germany

Tel: +49-7062-977 8800

Fax: +49-7062-976 0571

Email: sales@irayeurope.com

